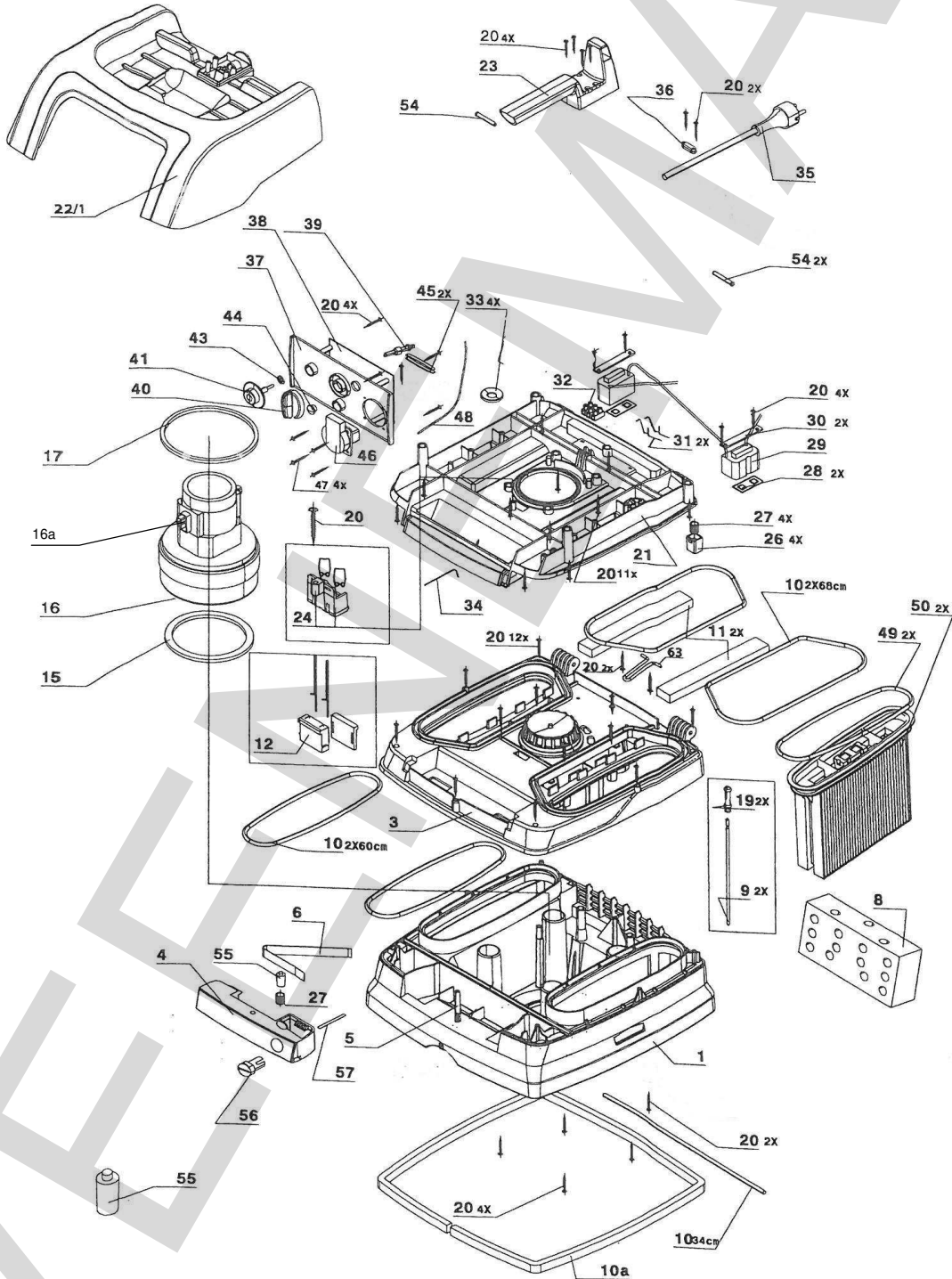
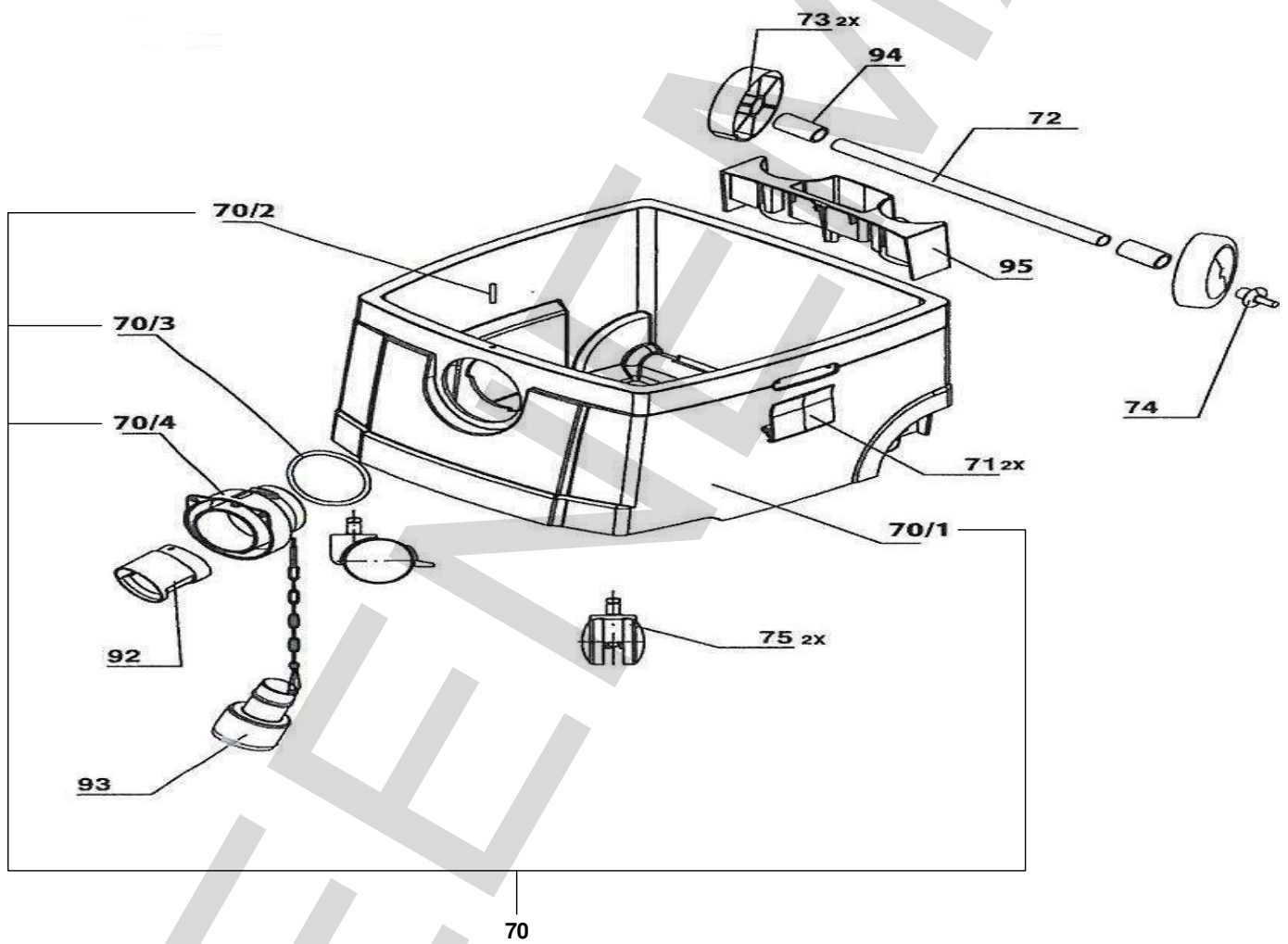




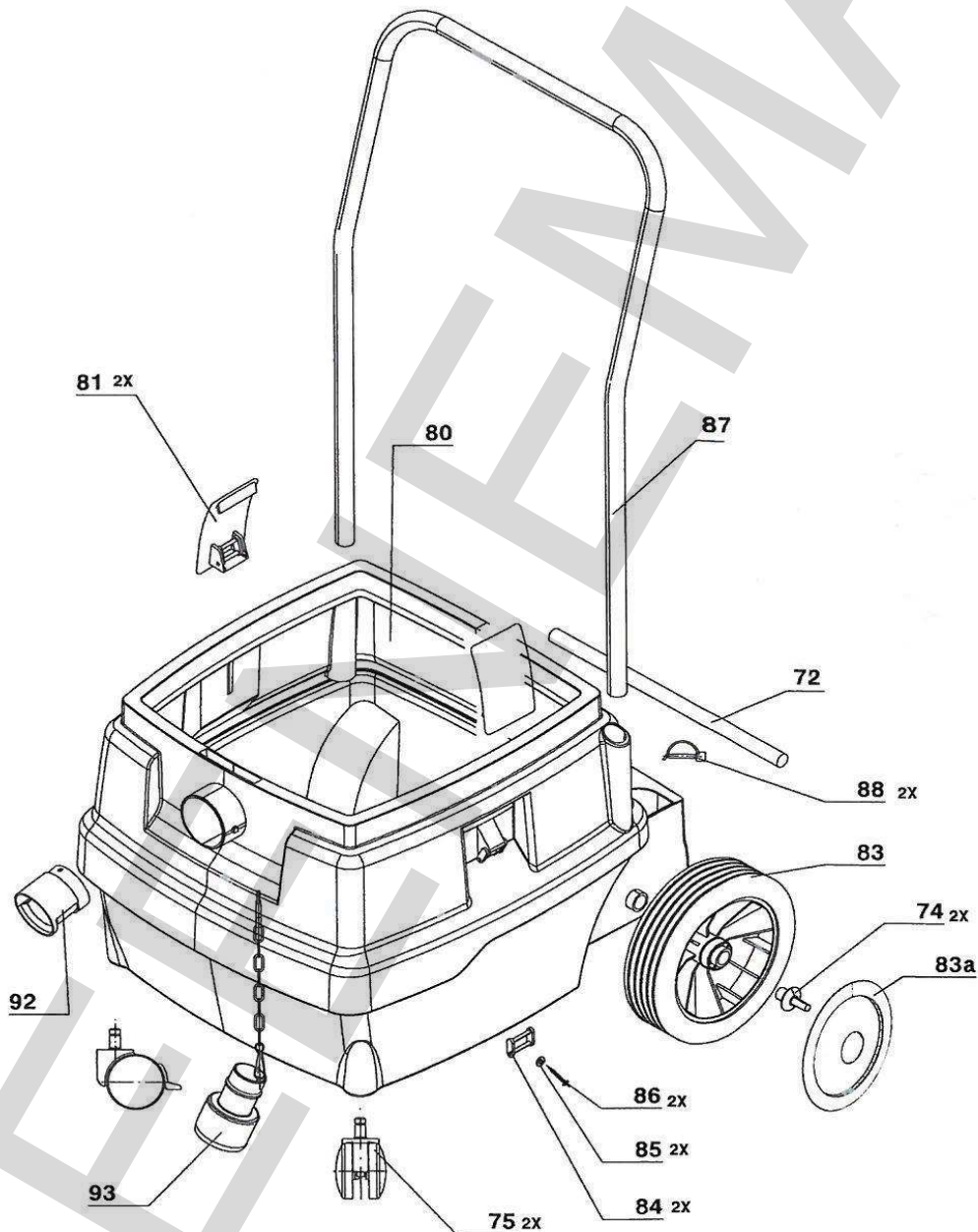
DSS 25 M / DSS 50 M
bovendeel



DSS 25 M
25 liter tank



DSS 50 M
50 liter tank



sep-18

| Positie | Artikel | Artikelomschrijving | Aantal | Positie | Artikel | Artikelomschrijving | Aantal |
|---------|------------------|--------------------------------|--------|---------|------------------|--------------------------------|--------|
| 1 | 12.943.01 | Binnenhuis DSS 25/50 | 1 St | 35 | 40.410 | Aansl.snoer H07RN-F 3x1.5 10m | 1 St |
| 3 | 12.943.02 | Behuizing DSS 25/50 | 1 St | 36 | 12.943.18 | Trekontlasting DSS 25/35/50 | 1 St |
| 4 | 12.943.03 | Vergrendelbalk DSS 25/50 | 1 St | 37 | 12.941.51 | Frontplaat DSS 25/50 M | 1 St |
| 5 | 12.943.04 | Brug tbv Vergr.balk DSS 25/50 | 1 St | 38 | 12.941.52 | Printplaat DSS 25/50 M | 1 St |
| 6 | 12.942.36 | Bladveer DSS 35 M IP | 1 St | 39 | 12.941.39 | As voor schakelaar DSS1225a | 1 St |
| 8 | 12.943.05 | Geluidsisolatie DSS 25/50 | 1 St | 40 | 12.943.20 | Schakelknop DSS 25/50 | 1 St |
| 9 | 12.942.39 | Elektrode | 2 St | 41 | 12.941.53 | Draaiknop groen DSS 25/50 M | 1 St |
| 10 | 12.943.06 | Schuimrubber afdichting 3m | 1 St | 43 | 12.941.54 | Sluitschijf DSS 25/50 M | 1 St |
| 11 | 12.943.07 | Motorbeschermingsfilter | 2 St | 44 | 12.942.08 | lens DSS 35 M IP | 1 St |
| 12 | 12.943.08 | Motorstekker DSS 25/50 | 1 St | 45 | 12.943.21 | Schakelveer DSS 25/35/50 | 2 St |
| 13 | 12.942.45 | Afdichtingsring DSS 35 M IP | 1 St | 46 | 49.020.10 | Schuko inb. 50x50mm IP54 blauw | 1 St |
| 14 | 12.943.11 | Koolborstelset DSS 25/50 | 1 St | 47 | 08.002.01 | Schroef (kruis) 3,5 x 16 | 4 St |
| 15 | 12.943.09 | Schuimrubberpakking DSS 25/50 | 1 St | 48 | 12.942.29 | Vacuumslang | 1 St |
| 16 | 12.943.10 | Motor DSS 25/50 | 1 St | 49 | 12.943.22 | Schuimrubber pakking | 2 St |
| 17 | 12.943.12 | Rubber pakking DSS 25/50 | 1 St | 50 | 12.940.00 | Filterset cellu. voor DSS1225A | 1 St |
| 19 | 12.942.40 | Klemhuls DSS 35 M IP | 2 St | 54 | 12.943.23 | Scharnierpen DSS 25/50 | 3 St |
| 20 | 12.942.30 | Spax schroef 3,5x25 | 44 St | 55 | 12.943.24 | Vergrendelingsas DSS 25/50 | 2 St |
| 21 | 12.943.13 | Tussenplaat DSS 25/50 | 1 St | 56 | 12.943.25 | Vergrendelingsknop DSS 25/50 | 1 St |
| 22 | 12.943.14 | Deksel DSS 25/50 | 1 St | 57 | 12.943.26 | Vergrendelingsveer DSS 25/50 | 1 St |
| 23 | 12.943.15 | Handgreep DSS 25/50 | 1 St | 63 | 12.942.48 | Steunbeugel DSS 35 M IP | 1 St |
| 24 | 12.942.14 | Motor stekkerplug | 1 St | 70 | 12.943.28 | Opvangbak DSS 25 | 1 St |
| 26 | 12.942.31 | Drukblokje DSS 25/35/50 | 4 St | 71 | 12.941.45 | Sluitclip voor DSS 25 A | 2 St |
| 27 | 12.943.16 | Drukveer tbv drukblokje DSS | 5 St | 72 | 12.941.48 | Wiel-as voor DSS 25 A | 1 St |
| 28 | 12.942.21 | Afdichting magneet DSS 35 M IP | 2 St | 73 | 12.941.47 | Wiel voor DSS (12)25 A/M | 2 St |
| 29 | 12.943.17 | Trilmagneet DSS 25/50 | 1 St | 74 | 12.942.54 | Wielplug DSS 35 M IP | 2 St |
| 30 | 12.942.19 | Metaal strip set DSS 35 M IP | 2 St | 75 | 12.941.55 | Zwenkwiel DSS 25/50 M | 2 St |
| 31 | 12.942.18 | Kontakt klem set DSS 35 M IP | 2 St | 92 | 12.942.60 | Roteerklap DSS 35 M IP | 1 St |
| 32 | 69.079 | Kroonsteen 3-polig art.10+20 | 1 St | 93 | 12.942.59 | Transportstop DSS 35 M IP | 1 St |
| 33 | 12.942.13 | Schotelveer DSS 35 M IP | 4 St | 94 | 12.941.49 | Lagerbus tbv wiel-as DSS 25 | 2 St |
| 34 | 12.942.28 | Kontaktdraad | 1 St | 95 | 12.941.50 | Accessoireshouder DSS 25/35 | 1 St |