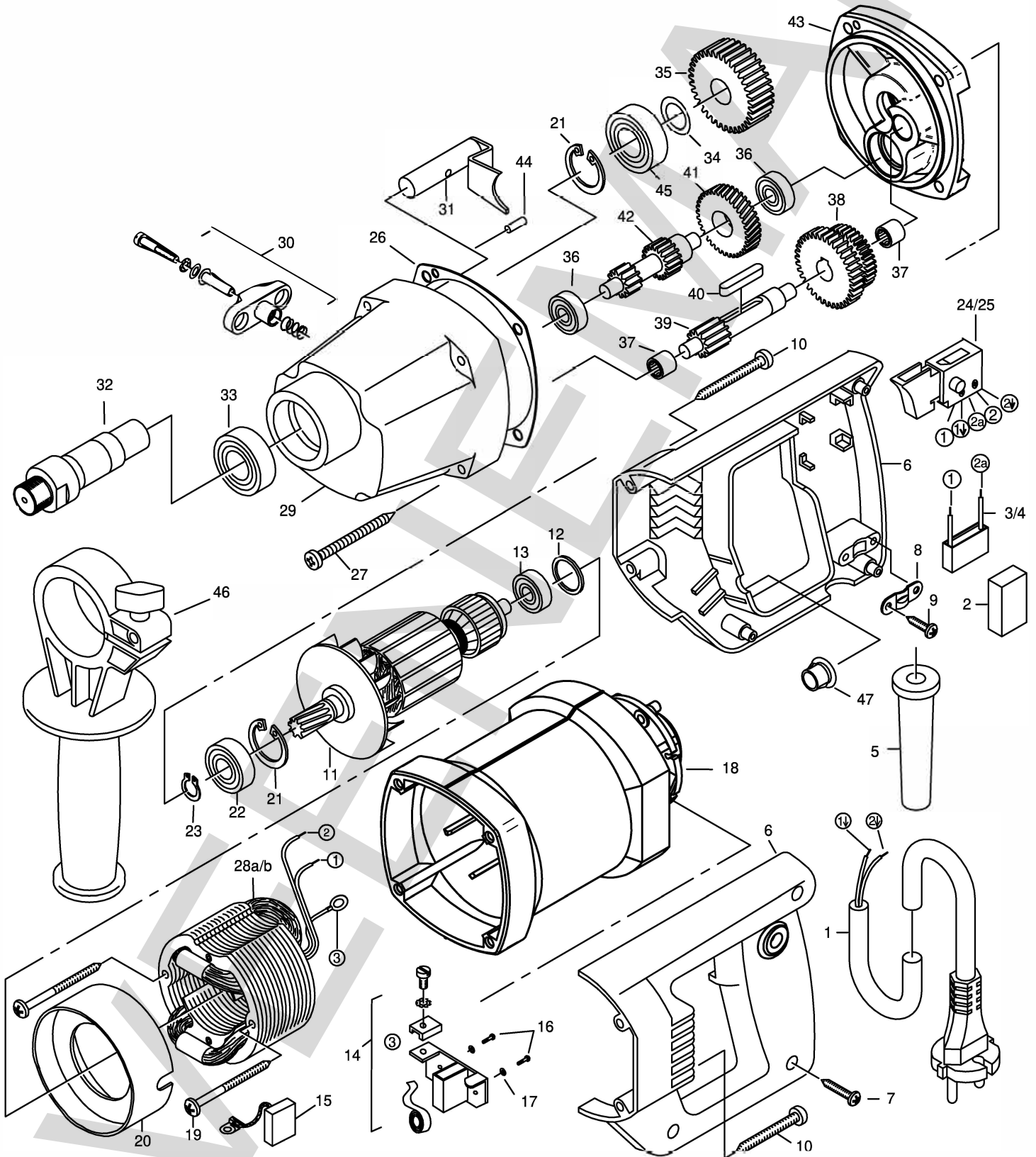




EIBENSTOCK
Elektrowerkzeuge

Onderdelentekening

EHR 16/2.4
EHR 16/2.4 S
230V



jan-06

| Positie | Artikel | Artikelomschrijving | Aantal | Positie | Artikel | Artikelomschrijving | Aantal |
|---------|------------------|--------------------------------|--------|---------|------------------|--------------------------------|--------|
| 1 | 40.390 | Aansl.snoer H07RN-F 2x1.5 3m | 1 St | 25 | 10.720.04 | Schakelaar EHR 15 SB | 1 St |
| 2 | 10.200.07 | Opvulstuk | 1 St | 26 | 10.805.32 | Afdichting tandwielhuis | 1 St |
| 3 | 10.515 | Ontstoringscondensator | 1 St | 27 | 08.002.08 | Plaatschroef HC4,8X50 DIN7981 | 4 st |
| 5 | 10.519 | Kabeltule 23/2 | 1 St | 28 | 10.156 | Veldwikkeling 20/2.1 | 1 St |
| 6 | 10.720.02 | Handgreepkappen EHR 15 SB | 1 St | 29 | 10.720.01 | Motorhuis EHR 15 SB | 1 St |
| 7 | 10.720.10 | Plaatschroef HC4,2x22 DIN 7981 | 3 St | 30 | 10.553 | Schakelpal compleet EHR | 1 St |
| 8 | 10.520 | Trekontlastingsklem | 1 St | 31 | 10.552 | Schakelgaffel 23/2 | 1 St |
| 9 | 49.060.03 | Zelft schroef 4,2 x 13 din7981 | 2 St | 32 | 10.203.45 | Hoofdas EHR 16/2.4 | 1 St |
| 10 | 10.568 | Plaatschroef HC4,8x45 DIN 7981 | 4 St | 33 | 10.210.49 | Lager 6202 - 2RSH1 | 1 St |
| 11 | 10.720.03 | Anker EHR 15 SB | 1 St | 34 | 10.624 | Passchijf 15/ 22x0,2 | 1 St |
| 12 | 10.720.11 | O-ring 22x2,5 | 1 St | 35 | 10.202.10 | Hoofdstandwiel EHB 16/2.4 S | 1 St |
| 13 | 10.512 | Lager 608 - 2RSH | 1 St | 36 | 10.512 | Lager 608 - 2RSH | 1 St |
| 14 | 10.720.06 | Koolborstel houderset | 1 Set | 37 | 10.527 | Naaldlager HK 0810 | 2 St |
| 15 | 08.002.31 | Schroef (kruis) m4x16 | 4 St | 38 | 10.609 | Tandwielblok 20/2.3 - 20/2.1 | 1 St |
| 16 | 10.699.02 | Koolborstelset 6,3x10x18 | 1 Set | 39 | 10.608 | As v.tandwielblok 13 Z | 1 St |
| 17 | 08.003.01 | Carr.ring m4 x 20 | 2 St | 40 | 10.642 | Spie 5x5x28mm DIN 8856 | 1 St |
| 18 | 10.650 | Motorhuis + koolb.h 16/2.3 | 1 St | 41 | 10.202.11 | Tussentandwiel EHB 16/2.4 S | 1 St |
| 19 | 10.197.35 | Schroef C 3,9x60 | 2 St | 42 | 10.605 | As + tandwielen 20/2.3-20/2.1 | 1 St |
| 20 | 10.588 | Luchtgeleiding 20/2.3-20/2.1 | 1 St | 43 | 10.601 | Tandwiell.schild 20/2.3-20/2.1 | 1 St |
| 21 | 10.530 | Borgring 28/1,2 DIN 472 | 1 St | 44 | 10.381.34 | Centreerstift 5x16 | 1 St |
| 22 | 10.525 | Lager 6001 - 2RSH | 1 St | 45 | 10.525 | Lager 6001 - 2RSH | 1 St |
| 23 | 10.529 | Borgring 11/1 | 1 St | 46 | 10.671 | Rubber handgreep 16/2.3 | 1 St |
| 24 | 10.720.04 | Schakelaar EHR 15 SB | 1 St | 47 | 10.201.57 | Plug voor handgreepkap | 1 St |